



# Installation Instructions

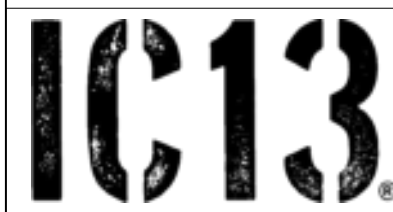
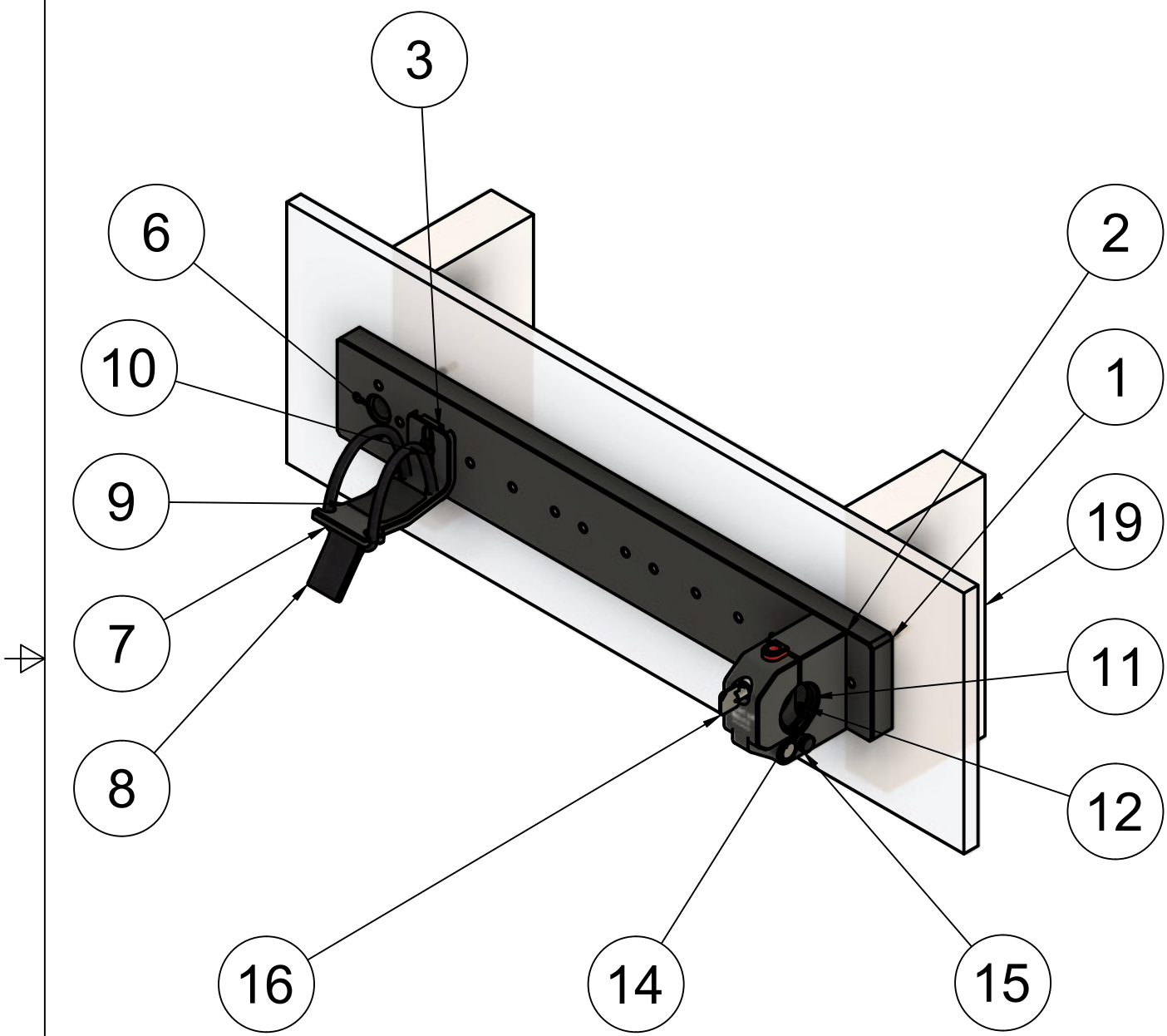
## Mount Up! Horizontal (500054)

1. Unpack the contents of your package and remove the red clevis pin retaining sticker on the right-hand side of your clamping bracket assembly (#2). Break your clamping bracket assembly down into three pieces for installation (front assembly, clevis pin, and rear block).
2. Locate the wood studs where you want to mount your bracket. Brackets can also be installed into block or concrete walls with appropriate anchors (not included).
3. **\*\*\*IMPORTANT\*\*\*** The main clamp of the system should cover ONE of the mounting holes in the plate (#1) (either left or right, depending on your preference). The lag bolt (#4) will not be accessible after the system is assembled. We also recommend covering the other hole with the handguard rest (#3).
4. Choose which side of the system your clamp assembly will be on, either left or right, and mark this hole location of the mounting plate (#1) on the wall.
5. Drill a 3/16" pilot hole at this location, into the stud.
6. Screw the lag bolt (#4) with washer (#5) into the stud using a 7/16" socket and ratchet. Do not tighten.
7. Place your bubble level against one of the long sides of the mounting plate (#1) and mark the location for the second hole.
8. Drill a 3/16" pilot hole at this location, into the stud.
9. Repeat step 6 at the second location.
10. Ensure that your rail is level and tighten the lag bolts.
11. Cover the lag bolt heads with black hex covers (#6).
12. Choose the four "bumpers" (#'s 11, 17 or 18) that you need for your firearm using the guide below. Press them into the grooves on the inside of the rear block of the clamping bracket assembly, and the front block assembly.
13. Using a 3/16" allen key or driver, mount the rear block to the rail (#1) using the allen cap screws (#12).
14. Align the holes in the rear block and the front block assembly, and insert the clevis pin to join the parts. **THE HOLE IN THE CLEVIS PIN MUST BE ALIGNED WITH THE HOLE IN THE REAR BLOCK.**
15. Use a small hammer or mallet to pin the clevis pin in place, using the 1/8" spring pin (#13). Use a pin punch (if available) or the second included spring pin (#13) to tap the spring pin slightly past flush to lock the clevis pin in place.
16. Screw the nylon thumb screw (#15) into place on side of the rear block which the buttstock of the weapon will be. The angle on your buffer tube will rest against this post, preventing any damage to your weapon or bracket while in use.
17. Peel the backing off the handguard pad (#9) and stick it to the handguard rest (#3), centered in the "V" groove.
18. Using the 5/32" allen key or hex driver and 1/2" black button head screw (#10), fasten the handguard rest (#3) to the mounting plate (#1) at the desired location.
19. Unlock your bracket with the key (#16). Open the bracket by depressing the red button and place your firearm into the bracket. Close the bracket and ensure that the red release button has engaged. The bracket clamps on the buffer tube between the castle nut, and the angled portion of the tube.
20. **TO LOCK YOUR BRACKET, REMOVE THE KEY (#16, IF PRESENT), AND PRESS THE PLUNGER INTO THE LOCK. DOUBLE CHECK THAT THE PLUNGER REMAINS IN POSITION, AND CHECK FOR PROPER LOCK BY ATTEMPTING THE DEPRESS THE RED BUTTON.**

PARTS LIST			
ITEM	PART NUMBER	DESCRIPTION	QTY
1	500056	HORIZONTAL MOUNTING RAIL	1
2	500055	CLAMPING BRACKET ASSEMBLY	1
3	100058	HANDGUARD REST	1
4	100070	1/4" LAG BOLT	2
5	100071	1/4" WASHER	2
6	100082	LAG BOLT COVER	2
7	100089	SHOCKCORD	1
8	100088	PULL TAB	1
9	100059	HANDGUARD REST PAD	1
10	100080	1/4" BUTTON HEAD SCREW	1
11	100053	BUFFER TUBE BUMPER, MIL-SPEC	4
12	100072	1/4" ALLEN HEAD CAP SCREW	2
13	100074	1/8" SPRING PIN	2
14	100076	NYLON SET SCREW (BUFFER TUBE ADJUSTMENT)	1
15	100075	THUMB SCREW (BUFFER TUBE STOP)	1
16	100062	KEY SET	1
17	100054	BUFFER TUBE BUMPER, COMMERCIAL (NOT SHOWN)	4
18	100055	BUFFER TUBE BUMPER, PISTOL (NOT SHOWN)	4
19	WALL WITH 16IN STUDS	SUPPLIED BY YOU	1

**WARNING: NEVER USE THIS DEVICE WITH A WEAPON THAT HAS A LOADED CHAMBER OR LOADED MAGAZINE INSERTED. ALWAYS VISUALLY INSPECT FOR CLEAR CHAMBER PRIOR TO USING THE DEVICE.**

For installation instructions visit <https://ic13.us/productsupport/>



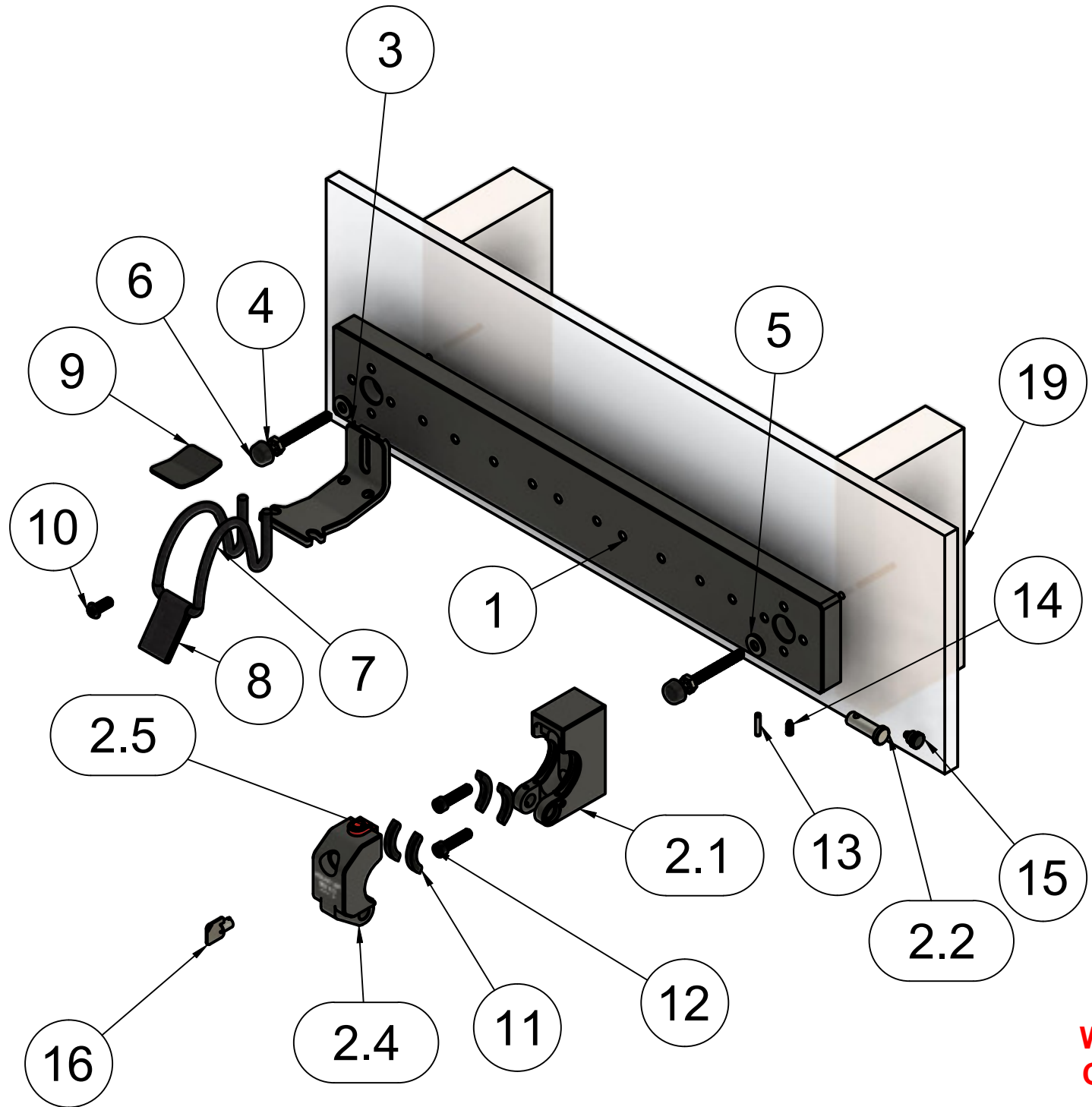
**PROPRIETARY AND CONFIDENTIAL**  
 THE INFORMATION CONTAINED IN THIS DRAWING IS THE SOLE PROPERTY OF IC13. ANY REPRODUCTION IN PART OR AS A WHOLE WITHOUT THE WRITTEN PERMISSION OF IC13 IS STRICTLY PROHIBITED.

**UNLESS OTHERWISE SPECIFIED**  
 DIMENSIONS ARE IN INCHES / TOLERANCES:  
 ANGULAR: +/- 0.5 Deg  
 FRACTIONAL: +/- .015"  
 TWO PLACE DECIMAL: +/- .010"  
 THREE PLACE DECIMAL: +/- .005"  
 SEE 3D MODEL FOR DIMENSIONS NOT OTHERWISE SPECIFIED

**DO NOT SCALE**  
 DRAWN BY: Josh Sprecher  
 DATE: 11/12/2021  
 SCALE: 1:4  
 SIZE: B  
 SHEET: 1/2

**STOCK AND FINISH**  
 LENGTH:  
 WIDTH:  
 HEIGHT:  
 FINISH:  
 NOTES:

PART NUMBER	REVISION
500054	
DESCRIPTION	
Mount Up! Horizontal AR15 Mount	



PARTS LIST			
ITEM	PART NUMBER	DESCRIPTION	QTY
1	500056	HORIZONTAL MOUNTING RAIL	1
2	500055	CLAMPING BRACKET ASSEMBLY	1
2.1	100050	REAR BLOCK, BUFFER TUBE CLAMP	1
2.2	100073	CLEVIS PIN, 3/8"	1
2.4	100051	FRONT BLOCK, BUFFER TUBE CLAMP	1
2.5	100052-01	BUTTON, BUFFER TUBE CLAMP	1
3	100058	HANDGUARD REST	1
4	100070	1/4" LAG BOLT	2
5	100071	1/4" WASHER	2
6	100082	LAG BOLT COVER	2
7	100089	SHOCKCORD	1
8	100088	PULL TAB	1
9	100059	HANDGUARD REST PAD	1
10	100080	1/4" BUTTON HEAD SCREW	1
11	100053	BUFFER TUBE BUMPER, MIL-SPEC	4
12	100072	1/4" ALLEN HEAD CAP SCREW	2
13	100074	1/8" SPRING PIN	2
14	100076	NYLON SET SCREW (BUFFER TUBE ADJUSTMENT)	1
15	100075	THUMB SCREW (BUFFER TUBE STOP)	1
16	100062	KEY SET	1
17	100054	BUFFER TUBE BUMPER, COMMERCIAL (NOT SHOWN)	4
18	100055	BUFFER TUBE BUMPER, PISTOL (NOT SHOWN)	4
19	WALL WITH 16IN STUDS	SUPPLIED BY YOU	1

**WARNING: NEVER USE THIS DEVICE WITH A WEAPON THAT HAS A LOADED CHAMBER OR LOADED MAGAZINE INSERTED. ALWAYS VISUALLY INSPECT FOR CLEAR CHAMBER PRIOR TO USING THE DEVICE.**

For installation instructions visit <https://ic13.us/productsupport/>

	<b>PROPRIETARY AND CONFIDENTIAL</b> THE INFORMATION CONTAINED IN THIS DRAWING IS THE SOLE PROPERTY OF IC13. ANY REPRODUCTION IN PART OR AS A WHOLE WITHOUT THE WRITTEN PERMISSION OF IC13 IS STRICTLY PROHIBITED.	<b>UNLESS OTHERWISE SPECIFIED</b> DIMENSIONS ARE IN INCHES / TOLERANCES: ANGULAR: +/- 0.5 Deg FRACTIONAL: +/- .015" TWO PLACE DECIMAL: +/- .010" THREE PLACE DECIMAL: +/- .005" SEE 3D MODEL FOR DIMENSIONS NOT OTHERWISE SPECIFIED	<b>DO NOT SCALE</b> DRAWN BY: Josh Sprecher DATE: 11/12/2021 SCALE: 1:4 SIZE: B SHEET: 2/2	<b>STOCK AND FINISH</b> LENGTH: WIDTH: HEIGHT: FINISH: NOTES:	<b>PART NUMBER</b> <h1>500054</h1>	<b>REVISION</b>
	<b>DESCRIPTION</b> Mount Up! Horizontal AR15 Mount (Exploded)					

## Bumper Selection Guide

---



---

For additional assistance, contact us at [info@ic13.us](mailto:info@ic13.us) or 888-993-4213.

